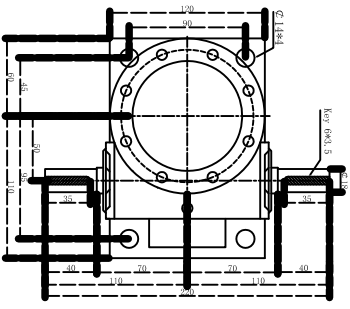
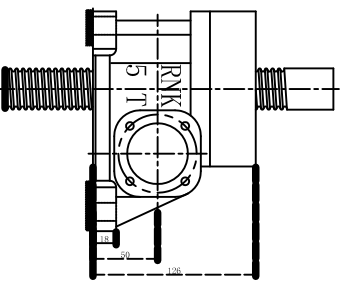


Model	Speed Ratio	Screw Dia.	Screw Lead
RNK-5T	1/6 1/12 1/24	Φ 32m/m	P=5

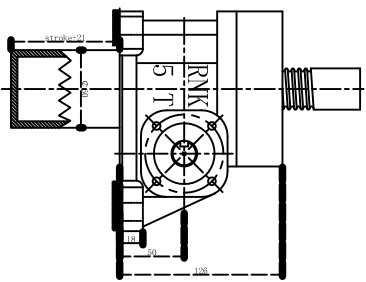
Double Input  
(standard type)



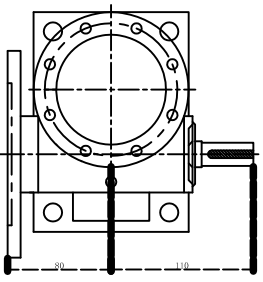
Light Loading Type



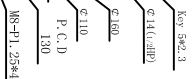
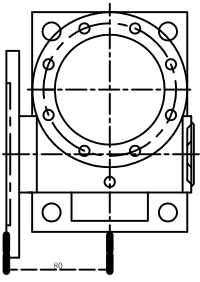
Heavy Loading Type



①Direct type  
Double Input  
Flanged Right Side



②Direct type  
Single Input  
Flanged Right Side



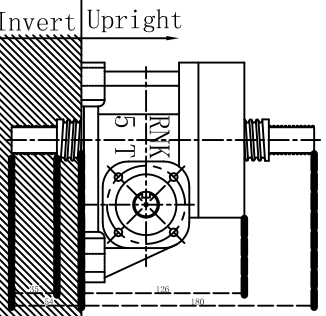
Nosen Mechanical&Electrical Equipment Co., Ltd  
 Website: <http://www.screwjack.com.cn>  
 Tel: 86-769-85644651 86-13532664175  
 Fax: 86-769-85644652  
 Email: [admin@screwjack.com.cn](mailto:admin@screwjack.com.cn)  
 MSN: [nosen28@hotmail.com](mailto:nosen28@hotmail.com)  
 Skype: [joe19861216](mailto:joe19861216)  
 ICQ: 595-074-712

top end and allowance shortest sizes

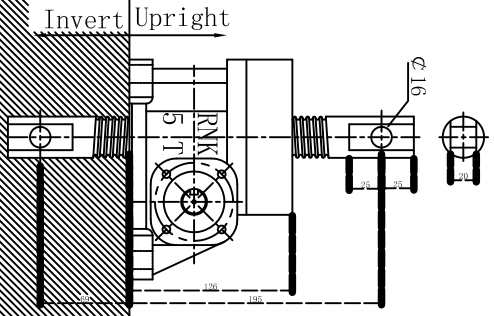
S type (threaded end)

H type (clevis end)

M22\*2



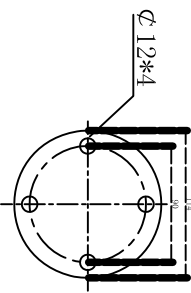
Invert Upright



Invert Upright

R type (plain end)

T type (top end)



Φ12\*4

Invert Upright

Invert Upright

