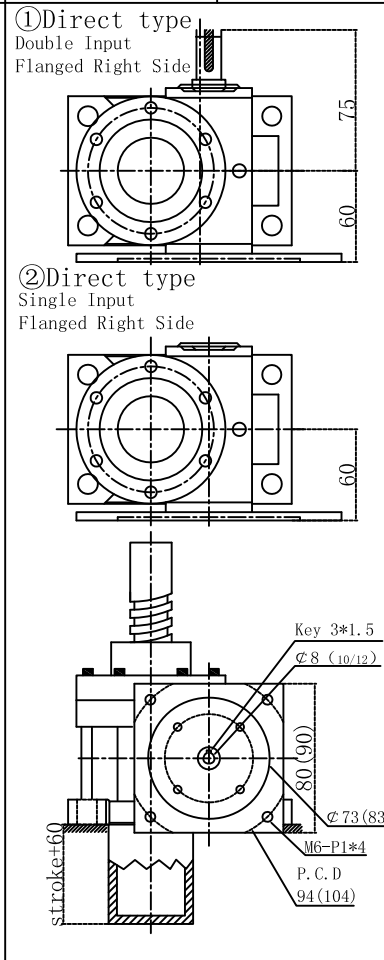
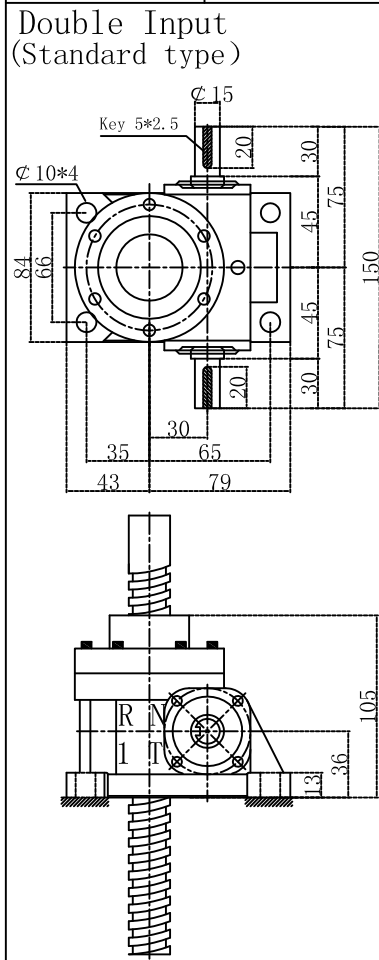


Worm Gear Screw Jack

Nosen Mechanical&Electrical Equipment Co.,Ltd

Model	Speed Ratio	Screw Dia.	Screw Pitch
RN-1T	1/5 1/10 1/20	Φ24m/m	P=12

ADD:Liangshuijing industrial park,Dajing,Houjie town,Dongguan city,Guangdong province,China
Tel: 86-769-85644651 13532664175
Fax: 86-769-85644632
NOSEN INT'L INDUSTRY (HK) LIMITED
ADD:Flat A,18/F,Kingswell Commercial Tower,171Lockhart Road,Wanchai,Hong Kong
Website: http://www.screwjack.com.cn Email: admin@screwjack.com.cn
MSN: nosen28@hotmail.com Skype: joel19861216



Screw top end and the shortest sizes

